


# AD SERIES

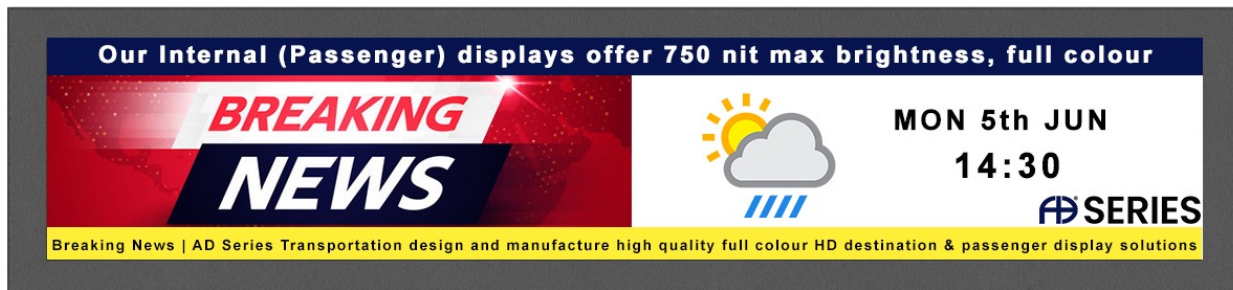
## Enhanced Passenger Display Solutions



RAIL DEPARTURES		
TIME	STATUS	
11:00 DESTINATION PLATFORM	DUE	
11:15 DESTINATION PLATFORM	DELAYED	
11:45 DESTINATION PLATFORM	ON TIME	




## 29" Digital Passenger Display



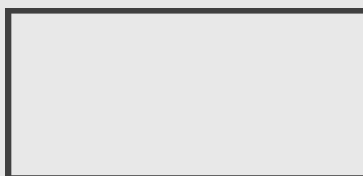
AD Series on board Enhanced Digital Display Screens are designed to deliver maximum value for Public Transport passengers, providers, operators and manufactures

- Specially designed for the public transport environment.
- providing an enhanced passenger experience.

### Key Features

## 750 Nits

Brightness



Provided in framed and frameless configuration



24 Hour Commercial Use



## +44(0)203 475 1540

UK Head Office: Unit 49 Eldon Way,  
Paddock Wood, Kent, TN12 6BE

eva2@adseries.com



## 29" Digital Passenger Display

### Overview

AD Series on board Enhanced Digital Display Screens are designed to deliver maximum value for Public Transport passengers, providers, operators and manufactures

- Specially designed for the public transport environment.
- providing an enhanced passenger experience.

### Benefits

- High brightness for bright conditions
- Less than 1mm Pixel Pitch V x H
- 1920px as standard Resolution
- Flexible Mounting options
- Framed or embedded (frameless) configuration
- Clear high definition passenger information
- Full colour – can support video graphics
- Display a wide range of media from images to animations, videos audio and graphic displays
- Lightweight, can be easily accommodated.
- Fast to update, easy to read
- Additional advertising space

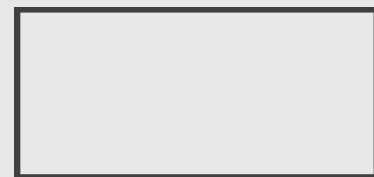
### Key Features

## 750 Nits

Brightness



24 Hour  
Commercial Use



Provided in framed  
and frameless configuration



+44(0)203 475 1540

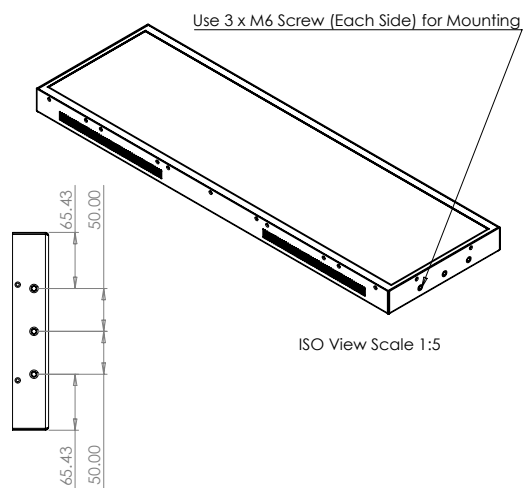
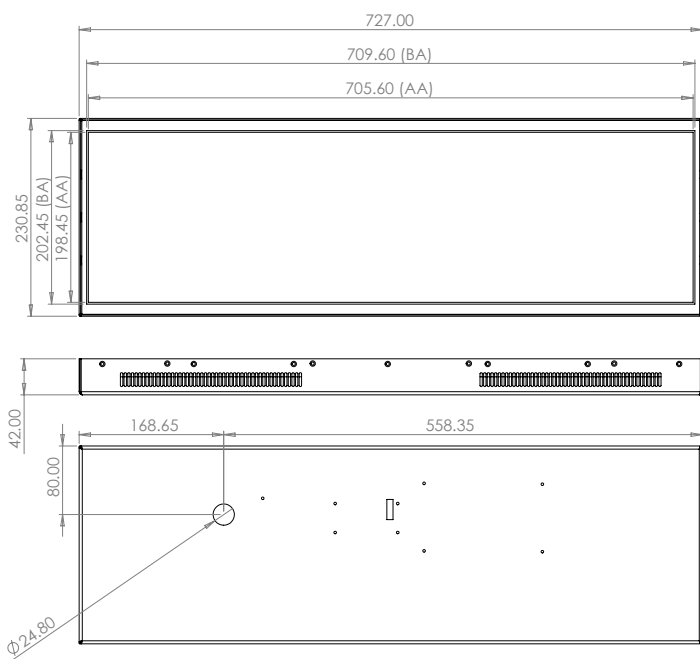
UK Head Office: Unit 49 Eldon Way,  
Paddock Wood, Kent, TN12 6BE

eva2@adseries.com

Model #	<b>BMES290-750MU-01</b>
DIAGONAL Display SIZE (Inch's)	<b>29</b>
RESOLUTION (Pixel's)	<b>1920 x 540</b>
BRIGHTNESS (nits)	<b>750</b>
<b>BRIGHTNESS (nits) options available - upgraded / downgraded on request</b>	
PIXEL PITCH VxH (mm)	<b>0.3675 x 0.1255</b>
CONTRAST RATIO	<b>12000:1</b>
ASPECT RATIO	<b>7:2</b>
COLOURS	<b>16.7M</b>
RELIABILITY	<b>5000 POH</b>
VIEWING ANGLE (V/H)	<b>178°/178°</b>
INTERFACE Serial Link Monitor	<b>Power, HDMI IN, Serial and USB on 500mm leads</b>
VISIBLE AREA (mm)	<b>706 x 198</b>
Embedded WIDTH (mm)	<b>727</b>
Embedded HEIGHT (mm)	<b>230.85</b>
Embedded DEPTH (mm)	<b>42</b>
Embedded WEIGHT (KG Approx)	<b>3.65</b>
Framed WIDTH (mm)	<b>738</b>
Framed HEIGHT (mm)	<b>236.65</b>
Framed DEPTH (mm)	<b>50</b>
Framed WEIGHT (KG Approx)	<b>5.04</b>
OPERATING VOLTAGE	<b>24-30 DVC</b>
POWER CONSUMPTION (Approx)	<b>35W</b>
OPERATING TEMPERATURE	<b>0 Deg. C - +40 Deg. C</b>



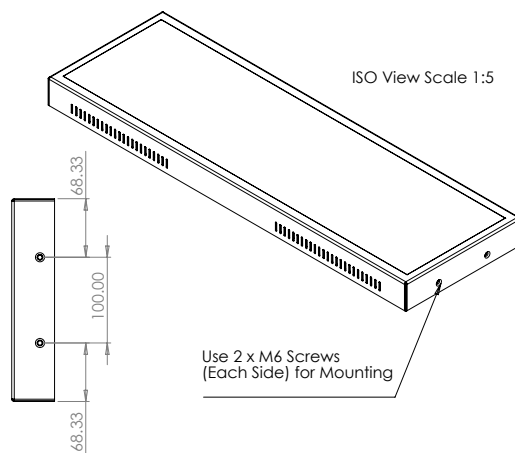
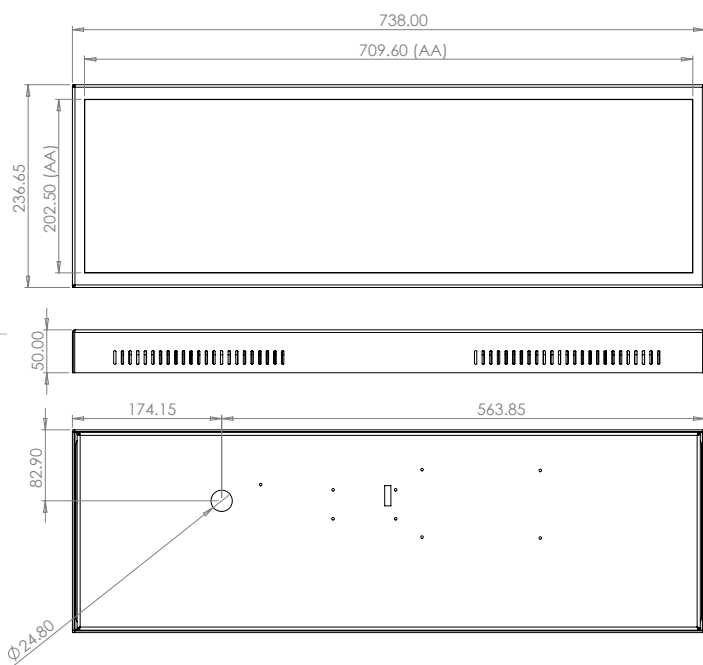
## 29" Digital Passenger Display – Embedded



\* Specification are subject to change.



## 29" Digital Passenger Display – Framed



\* Specification are subject to change.

