

AD SERIES

www.adseries.biz

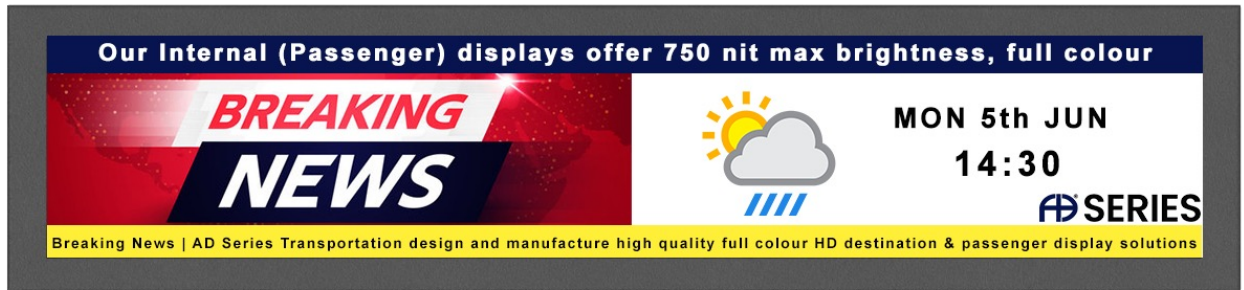
Enhanced Passenger
Display Solutions



RAIL DEPARTURES	
TIME	STATUS
11:00 DESTINATION PLATFORM	DUE
11:15 DESTINATION PLATFORM	DELAYED
11:45 DESTINATION PLATFORM	ON TIME



29" Digital Passenger Display



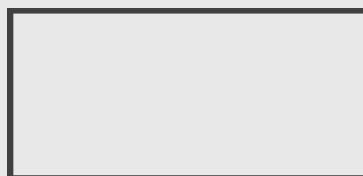
AD Series on board Enhanced Digital Display Screens are designed to deliver maximum value for Public Transport passengers, providers, operators and manufactures

- Specially designed for the public transport environment.
- providing an enhanced passenger experience.

Key Features

750 Nits

Brightness



Provided in framed
and frameless configuration



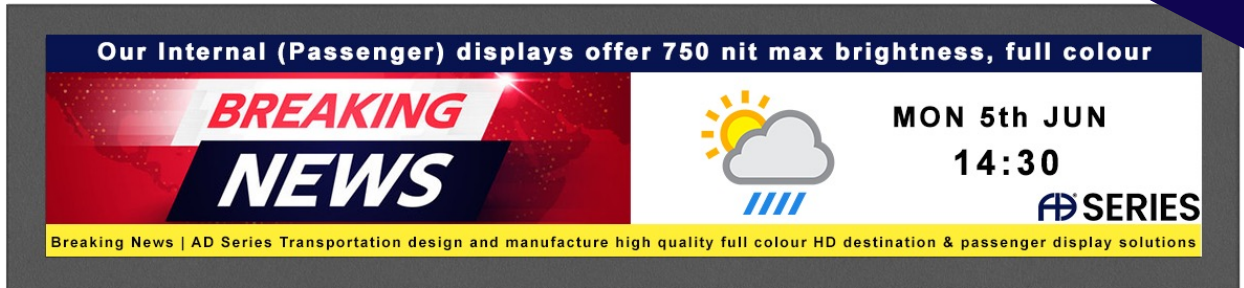
24 Hour
Commercial Use



+44(0)203 475 1540

UK Head Office: Unit 49 Eldon Way,
Paddock Wood, Kent, TN12 6BE

eva2@adseries.com



29" Digital Passenger Display

Overview

AD Series on board Enhanced Digital Display Screens are designed to deliver maximum value for Public Transport passengers, providers, operators and manufactures

- Specially designed for the public transport environment.
- providing an enhanced passenger experience.

Benefits

- High brightness for bright conditions
- Less than 1mm Pixel Pitch V x H
- 1920px as standard Resolution
- Flexible Mounting options
- Framed or embedded (frameless) configuration
- Clear high definition passenger information
- Full colour – can support video graphics
- Display a wide range of media from images to animations, videos audio and graphic displays
- Lightweight, can be easily accommodated.
- Fast to update, easy to read
- Additional advertising space

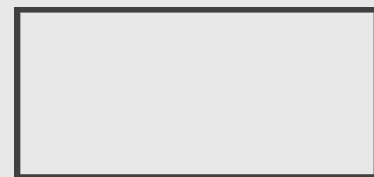
Key Features

750 Nits

Brightness



24 Hour
Commercial Use



Provided in framed
and frameless configuration



+44(0)203 475 1540

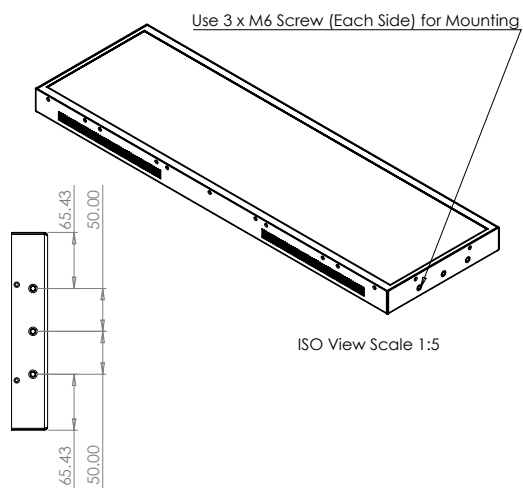
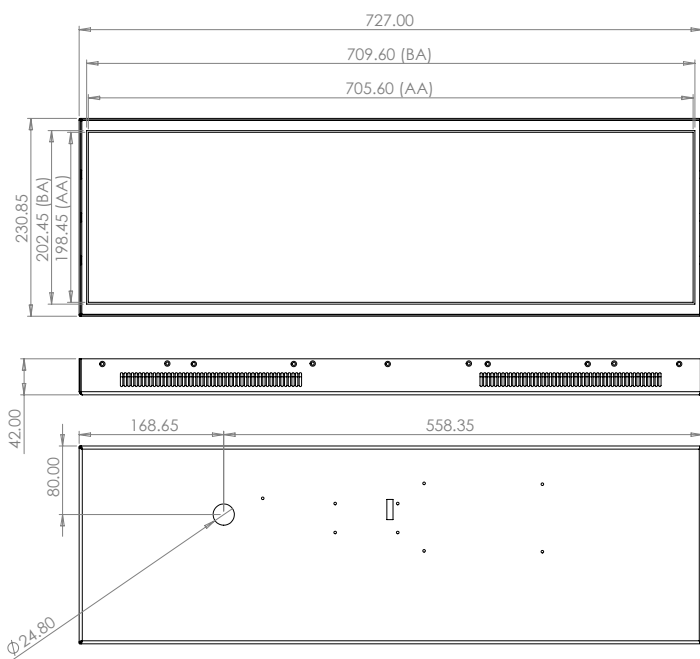
UK Head Office: Unit 49 Eldon Way,
Paddock Wood, Kent, TN12 6BE

eva2@adseries.com

Model #	BMS290-750MU-01
DIAGONAL Display SIZE (Inch's)	29
RESOLUTION (Pixel's)	1920 x 540
BRIGHTNESS (nits)	750
BRIGHTNESS (nits) options available - upgraded / downgraded on request	
PIXEL PITCH VxH (mm)	0.3675 x 0.1255
CONTRAST RATIO	12000:1
ASPECT RATIO	7:2
COLOURS	16.7M
RELIABILITY	5000 POH
VIEWING ANGLE (V/H)	178°/178°
INTERFACE Monitor	Power and HDMI IN on 500mm leads (optional RGB / DVI)
VISIBLE AREA (mm)	706 x 198
Embedded WIDTH (mm)	727
Embedded HEIGHT (mm)	230.85
Embedded DEPTH (mm)	42
Embedded WEIGHT (KG Approx)	3.65
Framed WIDTH (mm)	738
Framed HEIGHT (mm)	236.65
Framed DEPTH (mm)	50
Framed WEIGHT (KG Approx)	5.04
OPERATING VOLTAGE	24-30 DVC
POWER CONSUMPTION (Approx)	35W
OPERATING TEMPERATURE	0 Deg. C - +40 Deg. C



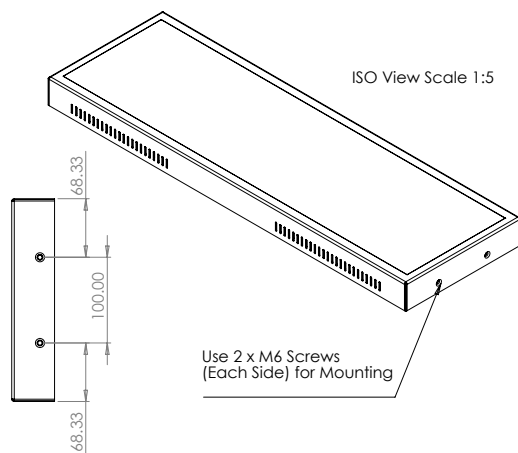
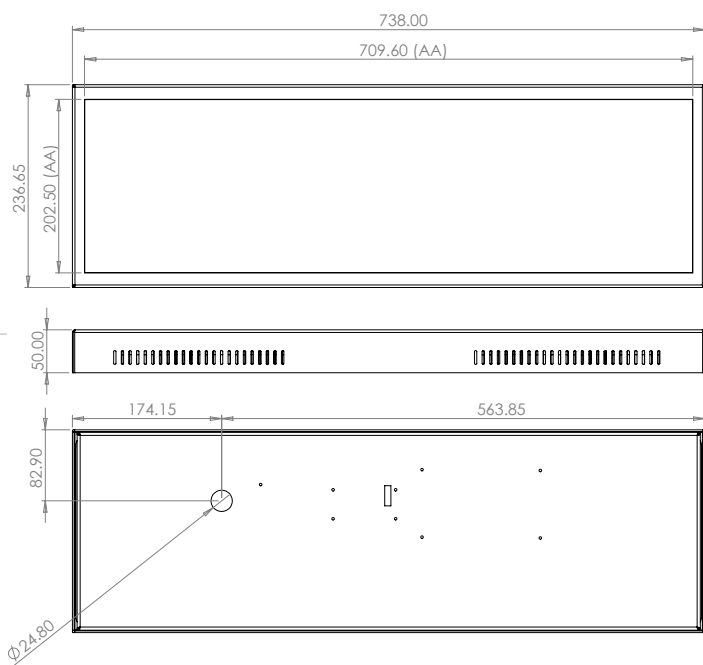
29" Digital Passenger Display – Embedded



* Specification are subject to change.



29" Digital Passenger Display – Framed



* Specification are subject to change.

