

AD SERIES

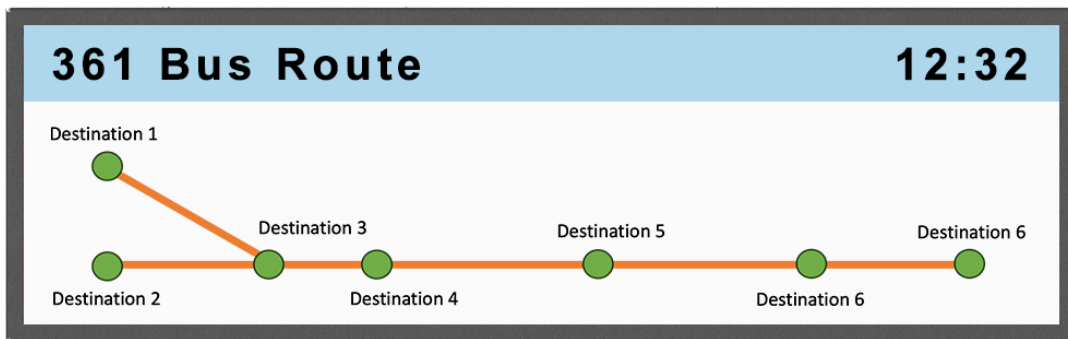


RAIL DEPARTURES		
TIME	DESTINATION PLATFORM	STATUS
11:00	DESTINATION PLATFORM	DUE
11:15	DESTINATION PLATFORM	DELAYED
11:45	DESTINATION PLATFORM	ON TIME

Enhanced Passenger Display Solutions



37" Digital Passenger Display



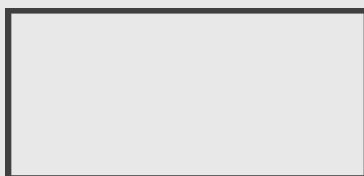
AD Series on board Enhanced Digital Display Screens are designed to deliver maximum value for Public Transport passengers, providers, operators and manufacturers

- Specially designed for the public transport environment.
- providing an enhanced passenger experience.

Key Features

750 Nits

Brightness



Provided in framed and frameless configuration



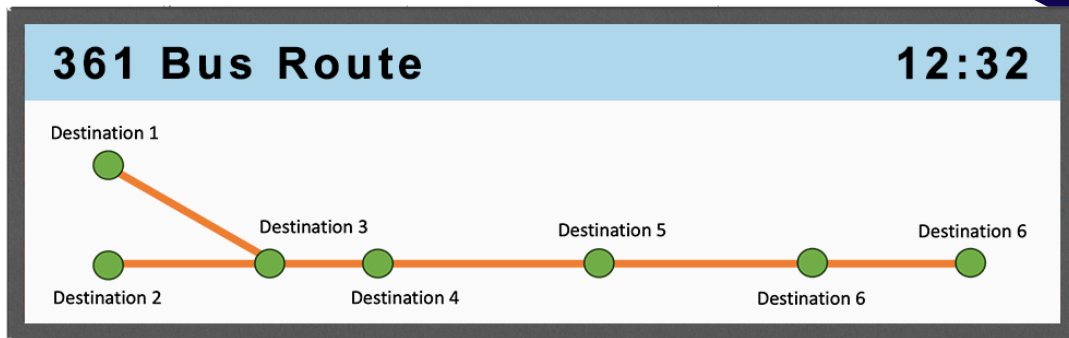
24 Hour Commercial Use



+44(0)203 475 1540

UK Head Office: Unit 49 Eldon Way, Paddock Wood, Kent, TN12 6BE

eva2@adseries.com



37" Digital Passenger Display

Overview

AD Series on board Enhanced Digital Display Screens are designed to deliver maximum value for Public Transport passengers, providers, operators and manufactures

- Specially designed for the public transport environment.
- providing an enhanced passenger experience.

Benefits

- High brightness for bright conditions
- Less than 1mm Pixel Pitch V x H
- 1920px as standard Resolution
- Flexible Mounting options
- Framed or embedded (frameless) configuration
- Clear high definition passenger information
- Full colour – can support video graphics
- Display a wide range of media from images to animations, videos audio and graphic displays
- Lightweight, can be easily accommodated.
- Fast to update, easy to read
- Additional advertising space

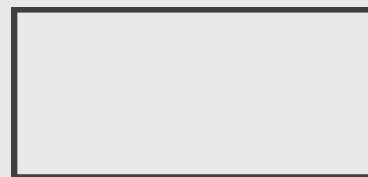
Key Features

750 Nits

Brightness



24 Hour
Commercial Use



Provided in framed
and frameless configuration



+44(0)203 475 1540

UK Head Office: Unit 49 Eldon Way,
Paddock Wood, Kent, TN12 6BE

eva2@adseries.com

Model #	BMS370-750MU-01
DIAGONAL Display SIZE (Inch's)	37
RESOLUTION (Pixel's)	1920 X 540
BRIGHTNESS (nits)	750
BRIGHTNESS (nits) options available - upgraded / downgraded on request	
PIXEL PITCH VxH (mm)	0.467 x 0.156
CONTRAST RATIO	1000:1
ASPECT RATIO	7:2
COLOURS	16.7M
RELIABILITY	50000 POH
VIEWING ANGLE (V/H)	178°/178°
INTERFACE Monitor	Power and HDMI IN on 500mm leads (optional RGB / DVI)
VISIBLE AREA (mm)	900 x 253
Embedded WIDTH (mm)	919.9
Embedded HEIGHT (mm)	285.9
Embedded DEPTH (mm)	47
Embedded WEIGHT (KG Approx)	7.2
Framed WIDTH (mm)	932
Framed HEIGHT (mm)	292.7
Framed DEPTH (mm)	55.5
Framed WEIGHT (KG Approx)	9.35
OPERATING VOLTAGE	24-30 DVC
POWER CONSUMPTION (Approx)	38W
OPERATING TEMPERATURE	0 Deg. C - +40 Deg. C

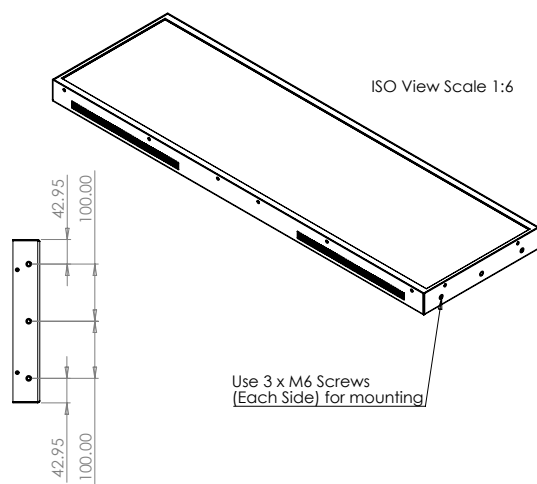
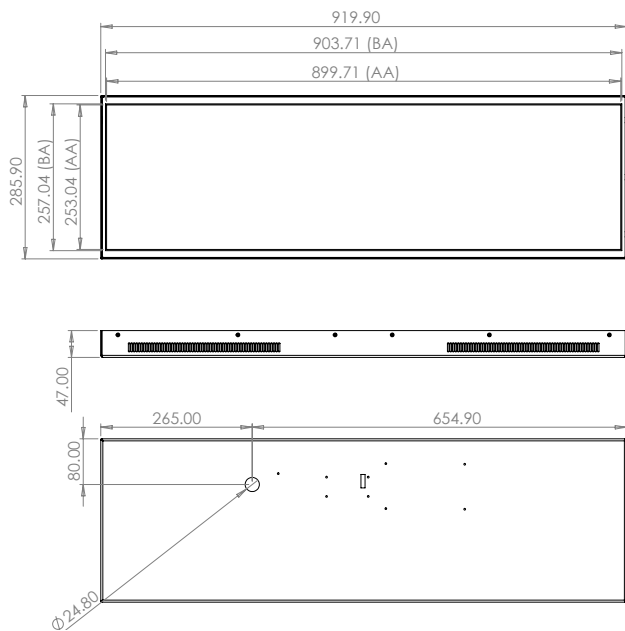


+44(0)203 475 1540

UK Head Office: Unit 49 Eldon Way,
Paddock Wood, Kent, TN12 6BE

eva2@adseries.com

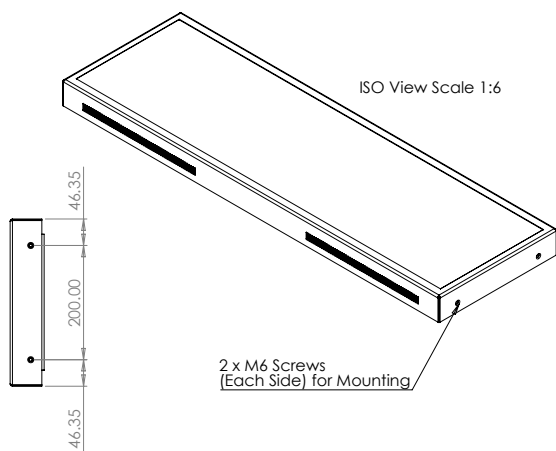
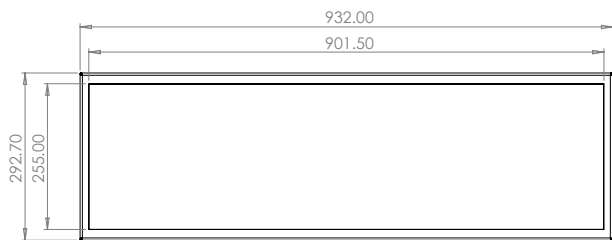
37' Digital Passenger Display – Embedded



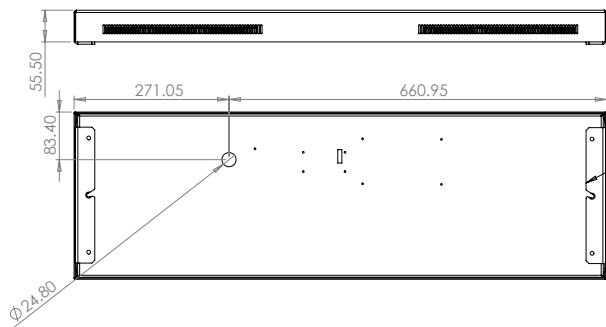
* Specification are subject to change.



37' Digital Passenger Display – Framed



2 x M6 Screws
(Each Side) for Mounting



Mounting Brackets Optional

* Specification are subject to change.

