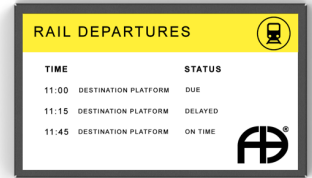
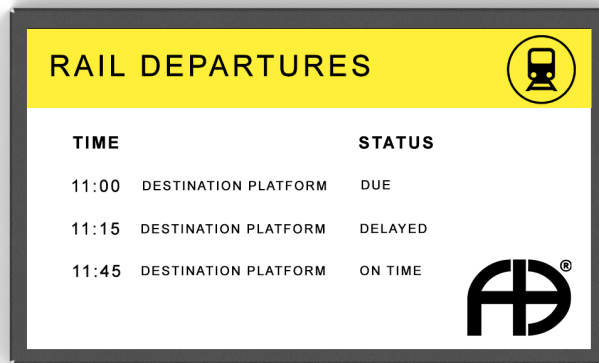


Enhanced Passenger Display Solutions



21.5' Digital Passenger Display



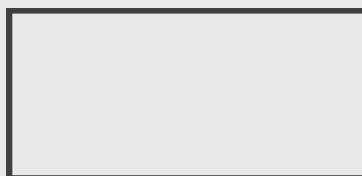
AD Series on board Enhanced Digital Display Screens are designed to deliver maximum value for Public Transport passengers, providers, operators and manufactures

- Specially designed for the public transport environment.
- providing an enhanced passenger experience.

Key Features

1000 Nit

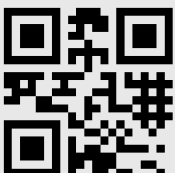
Brightness



Provided in framed and frameless configuration



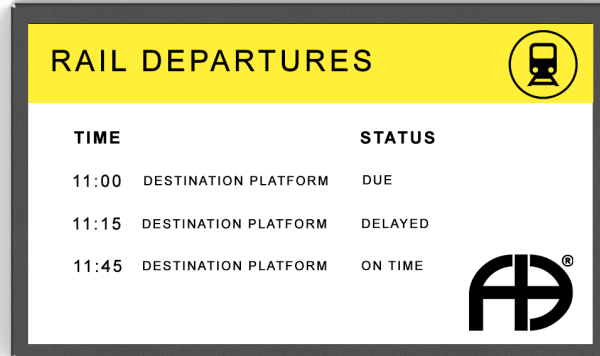
24 Hour Commercial Use



+44(0)203 475 1540

UK Head Office: Unit 49 Eldon Way,
Paddock Wood, Kent, TN12 6BE

eva2@adseries.com



21.5' Digital Passenger Display

Overview

AD Series on board Enhanced Digital Display Screens are designed to deliver maximum value for Public Transport passengers, providers, operators and manufactures

- Specially designed for the public transport environment.
- providing an enhanced passenger experience.

Benefits

- High brightness for bright conditions
- Less than 1mm Pixel Pitch V x H
- 1920px as standard Resolution
- Flexible Mounting options
- Framed or embedded (frameless) configuration
- Clear high definition passenger information
- Full colour – can support video graphics
- Display a wide range of media from images to animations, videos audio and graphic displays
- Lightweight, can be easily accommodated.
- Fast to update, easy to read
- Additional advertising space

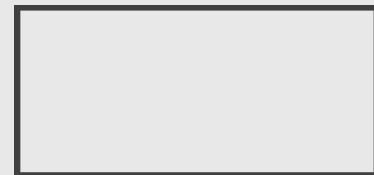
Key Features

1000 Nit

Brightness



24 Hour
Commercial Use



Provided in framed
and frameless configuration



+44(0)203 475 1540

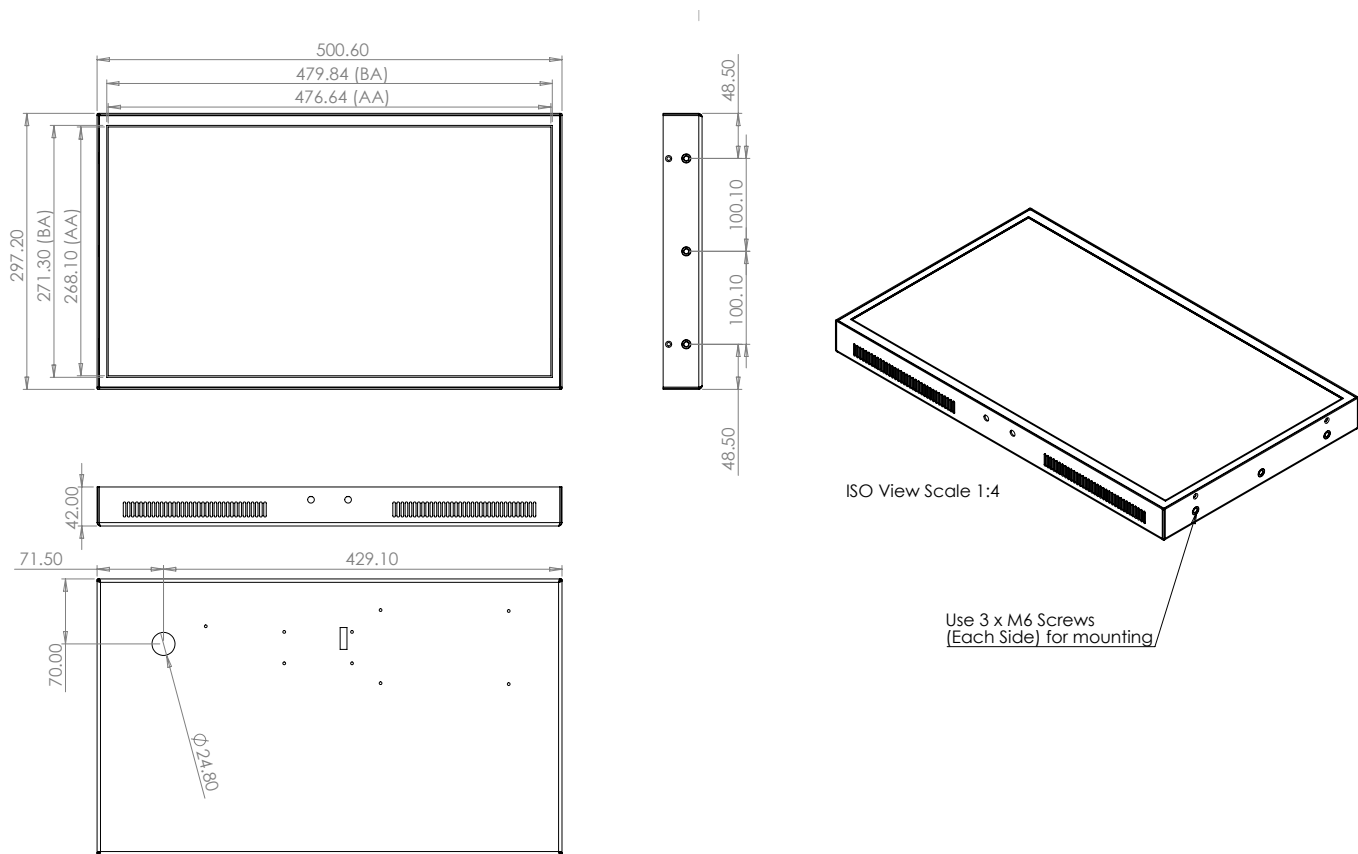
UK Head Office: Unit 49 Eldon Way,
Paddock Wood, Kent, TN12 6BE

eva2@adseries.com

Model #	BM215-1000MU-01
DIAGONAL Display SIZE (Inch's)	21.5
RESOLUTION (Pixel's)	1920 X 1080
BRIGHTNESS (nits)	1000
BRIGHTNESS (nits) options available - upgraded / downgraded on request	
PIXEL PITCH VxH (mm)	0.248 x 0.248
CONTRAST RATIO	1000:1
ASPECT RATIO	16:9
COLOURS	16.7M
RELIABILITY	50000 POH
VIEWING ANGLE (V/H)	178°/178°
INTERFACE Monitor	Power and HDMI IN on 500mm leads (optional RGB / DVI)
VISIBLE AREA (mm)	477 x 268
Embedded WIDTH (mm)	500.6
Embedded HEIGHT (mm)	297.2
Embedded DEPTH (mm)	42
Embedded WEIGHT (KG Approx)	3.2
Framed WIDTH (mm)	511.6
Framed HEIGHT (mm)	304
Framed DEPTH (mm)	50
Framed WEIGHT (KG Approx)	4.45
OPERATING VOLTAGE	24-30 DVC
POWER CONSUMPTION (Approx)	29W
OPERATING TEMPERATURE	0 Deg. C - +40 Deg. C



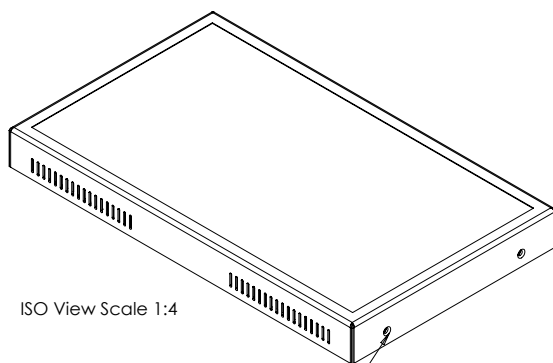
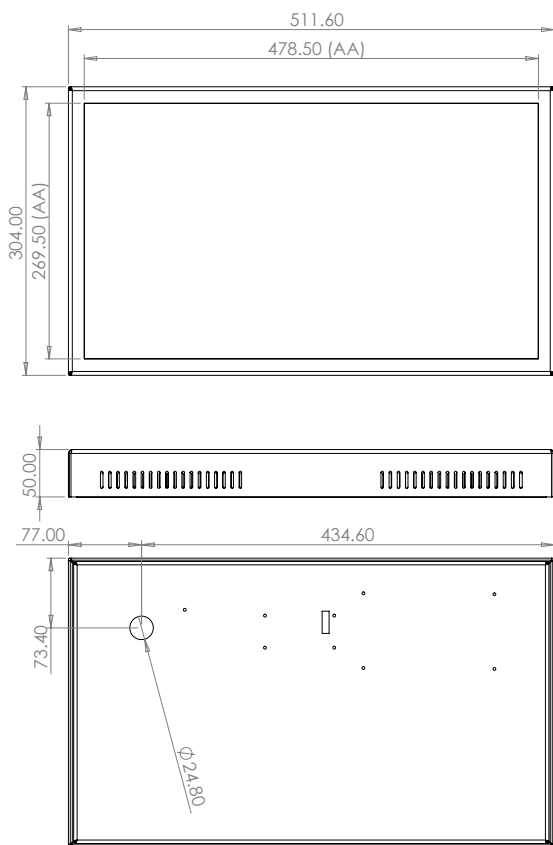
21.5' Digital Passenger Display – Embedded



* Specification are subject to change.



21.5' Digital Passenger Display – Framed



Use 2 x M6 Screws (Each Side) for Mounting

* Specification are subject to change.

