

AD SERIES

Enhanced Passenger
Display Solutions



37" Digital Passenger Display



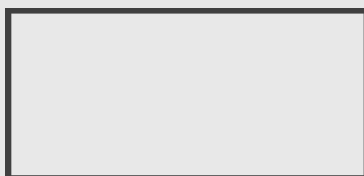
AD Series on board Enhanced Digital Display Screens are designed to deliver maximum value for Public Transport passengers, providers, operators and manufactures

- Specially designed for the public transport environment.
- providing an enhanced passenger experience.

Key Features

700 – 1000 Nit

Brightness



Provided in framed
and frameless configuration



24 Hour
Commercial Use



+44(0)203 475 1540

UK Head Office: Unit 49 Eldon Way,
Paddock Wood, Kent, TN12 6BE

eva2@adseries.com



37" Digital Passenger Display

Overview

AD Series on board Enhanced Digital Display Screens are designed to deliver maximum value for Public Transport passengers, providers, operators and manufactures

- Specially designed for the public transport environment.
- providing an enhanced passenger experience.

Benefits

- High brightness for bright conditions
- Less than 1mm Pixel Pitch V x H
- 1920px as standard Resolution
- Flexible Mounting options
- Framed or embedded (frameless) configuration
- Clear high definition passenger information
- Full colour – can support video graphics
- Display a wide range of media from images to animations, videos audio and graphic displays
- Lightweight, can be easily accommodated.
- Fast to update, easy to read
- Additional advertising space

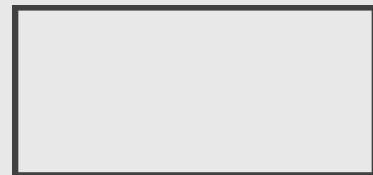
Key Features

700 – 1000 Nit

Brightness



24 Hour
Commercial Use



Provided in framed
and frameless configuration



+44(0)203 475 1540

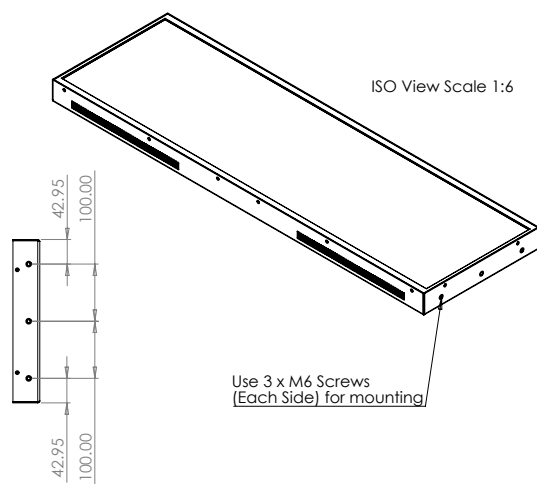
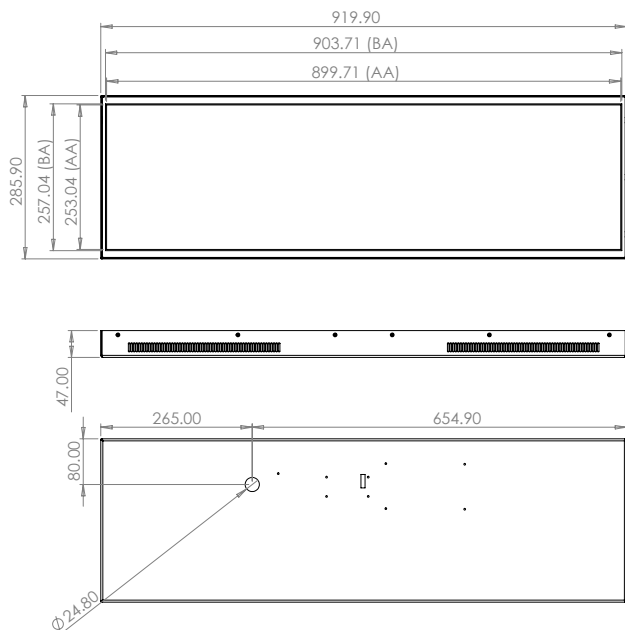
UK Head Office: Unit 49 Eldon Way,
Paddock Wood, Kent, TN12 6BE

eva2@adseries.com

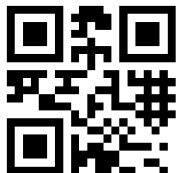
Model #	VIS37WSi
DIAGONAL Display SIZE (Inch's)	37
RESOLUTION (Pixel's)	1920 X 540
BRIGHTNESS (nits)	700-1000
PIXEL PITCH VxH (mm)	0.467 x 0.156
CONTRAST RATIO	1000:1
ASPECT RATIO	32:9
COLOURS	16.7M
RELIABILITY	50000 POH
VIEWING ANGLE (V/H)	178°/178°
INTERFACE Smart+	Power and RG45 on 500mm leads
INTERFACE Monitor	Power and HDMI IN on 500mm leads (optional RGB / DVI)
INTERFACE SERIAL LINK MONITORS	Power, HDMI IN, Serial and USB on 500mm leads
VISIBLE AREA (mm)	900 x 253
Embedded WIDTH (mm)	919.9
Embedded HEIGHT (mm)	285.9
Embedded DEPTH (mm)	47
Embedded WEIGHT (KG Approx)	7.2
Framed WIDTH (mm)	932
Framed HEIGHT (mm)	292.7
Framed DEPTH (mm)	55.5
Framed WEIGHT (KG Approx)	9.35
OPERATING VOLTAGE	24-30VDC
POWER CONSUMPTION (Approx)	36W
OPERATING TEMPERATURE	0 Deg. C - +40 Deg. C



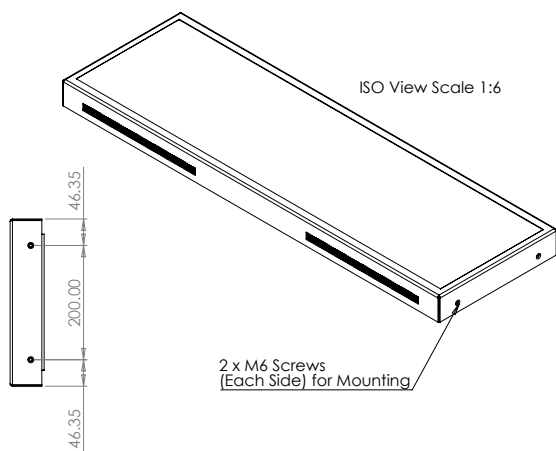
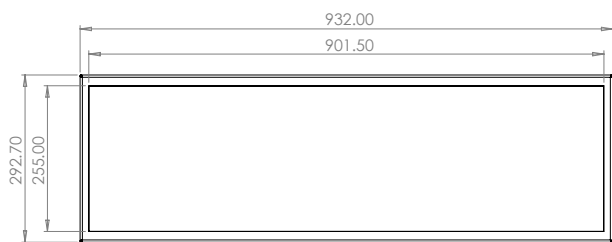
37' Digital Passenger Display – Embedded



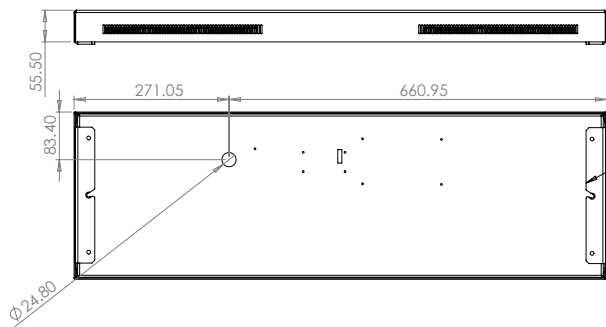
* Specification are subject to change.



37" Digital Passenger Display – Framed



2 x M6 Screws
(Each Side) for Mounting



Mounting Brackets Optional

* Specification are subject to change.

